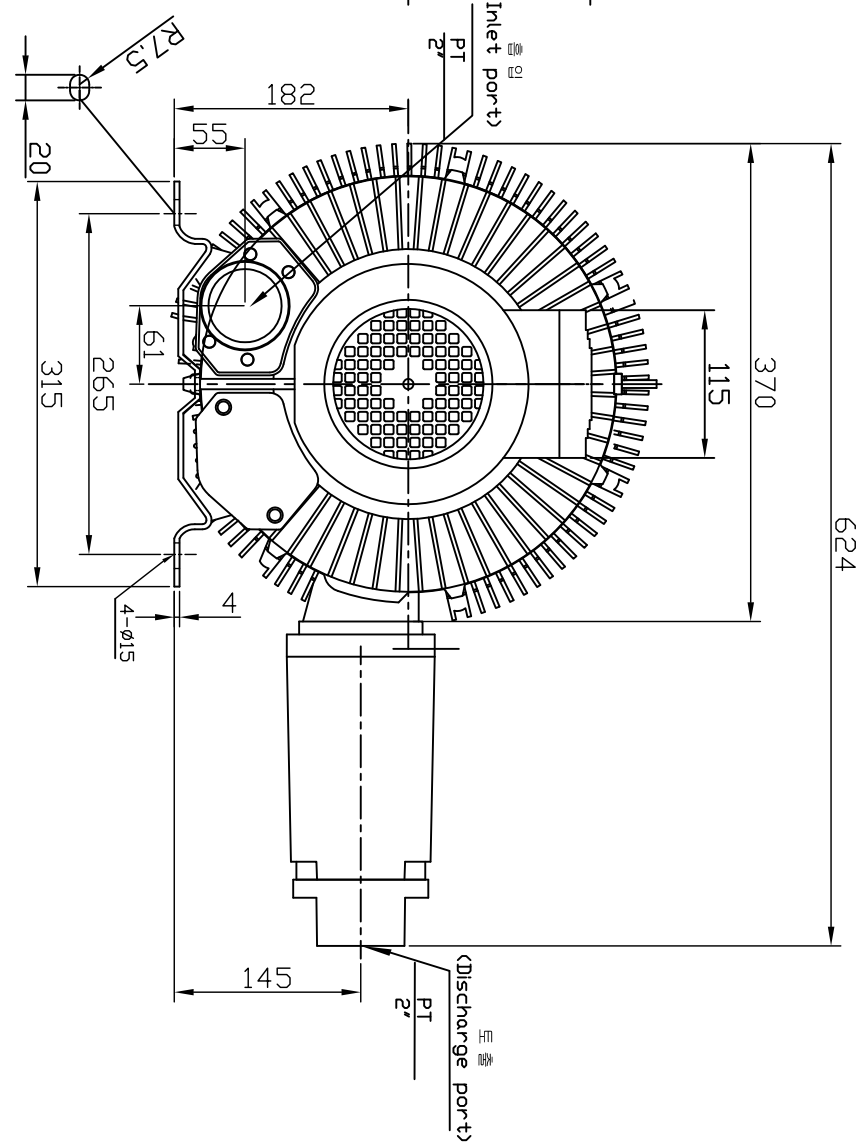
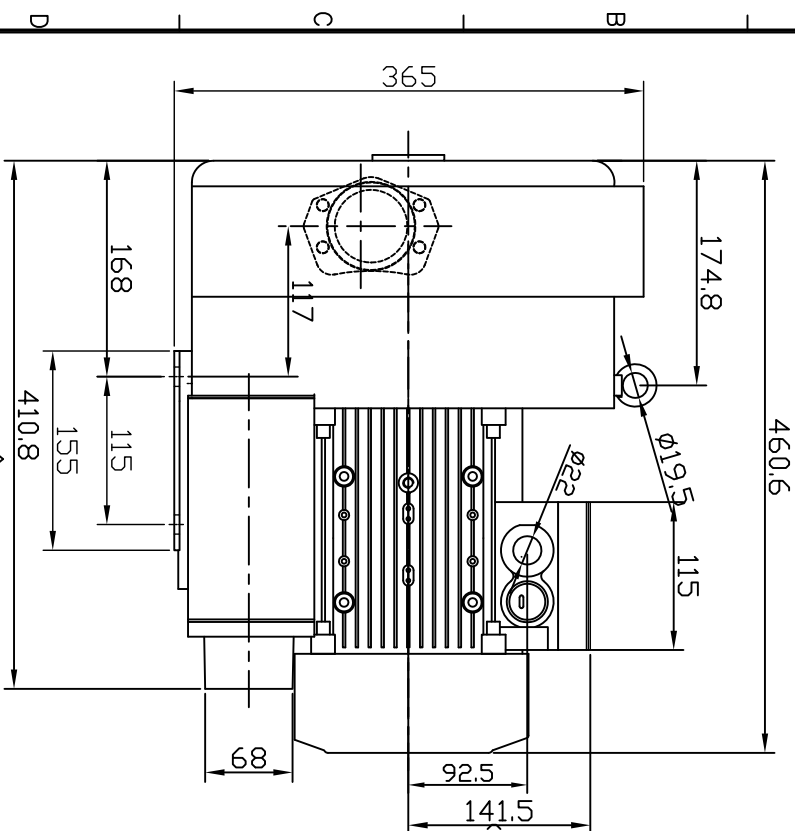
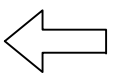
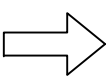


VIEW:B



VIEW:A



DATE			MARK			REMARK			DSGN			CHK			APRD		
TYPE: RING BLOWER(Reg. Blower) IHB-702H APPROVED: _____ CHECK: _____ DESIGN: _____ DRAWN: _____ IN HA ELECTRIC																	
DWG. NAME: OUTLINE DIMENSION THIRD ANGLE PROJECTION: _____ SCALE: N/S DATE: 2014.07 REF. DWG. NO.: 3φ4.0kw2P DWG. NO.: 0702H003																	